

Water Treatment



NIKE.STEP

PERISTALTIC METERING PUMP DRIVEN BY A STEPPER MOTOR



Main characteristics

ACCURATE DOSING

- Equipped with stepper motor
- Performance up to 25 l / h (6,6043 gal / h) and 4 bar (58,0151 psi)
- Specific firmware for micro dosing
- Suitable for dosing gas producing chemicals

STEPPER MOTOR

- accurate, reliable and ultra-quiet <35 db - direct coupling

PERISTALTIC TUBES

- Wide range of special tubing for specific applications

POWER SUPPLY

- 100/240vac 50/60Hz

CERTIFICATION

- UL ETL



Water Treatment



3 MODELS AVAILABLE

1. FULL MODE (6 different configurations)

Manual, mA, PPM, 1:N, N:1, Batch

DELIVERY RATE		MINIMUM DELIVERY RATE		NOMINAL PRESSURE		PERISTALTIC TUBE	MODELS	INSTALLATION KIT
l/h	gph	ml/h	gph	bar	psi			
10	2,64	10 ml/h	0.00264	2 bar	29.007	Pharmed	NIKE 50 FM10 FULL MODE	no
2	0,53	2 ml/h	0.00053	3 bar	43.511	B wall	NIKE 50 FM02 FULL MODE	no
15	3,96	15 ml/h	0.00396	0.1 bar	1.4503	Santoprene	NIKE 50 FM15 FULL MODE	no
25	6,6	25 ml/h	0.0066	0.1 bar	1.4503	EPDM	NIKE 50 FM15 FULL MODE	no
4	1,06	4 ml/h	0.00106	4 bar	58.015	Santoprene	NKS.SV FM HP HIGH PRESSURE	Yes

2. CONDUCTIVITY MODEL (COOLING TOWER)

NIKE CR pump has an integrated conductivity controller with 2 different configurations:

- Range 100 to 15 mS with 1% accuracy
- Conductivity probe K1 (C1) (probe not included)
- Blowdown action by Conductivity feedback measure and proportional antiscalant dosing

DELIVERY RATE		MINIMUM DELIVERY RATE		NOMINAL PRESSURE		TUBING	MODEL	Installation kit
l/h	gph	ml/h	gph	bar	psi			
10	2,64	10 ml/h	0.00264	2 bar	29.007	Pharmed	NIKE 50 CR10 CONDUCTIVITY	no

Water Treatment



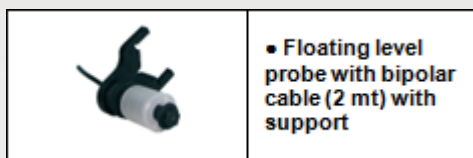
3. PH REDOX MODEL

- Full range model 0-14Ph +/-1000mv
- Galvanic Insulation

DELIVERY RATE		MINIMUM DELIVERY RATE		NOMINAL PRESSURE		TUBING	MODELS	Installation kit
l/h	gph	ml/h	gph	bar	psi			
2	0,53	2 ml/h	0.00053	3 bar	43.511	B wall	NKS.SV FM PR PH REDOX	yes

ACCESSORIES

• For all models



• For conductivity model



DRY DIAL FLOW METER

- Single-jet water meters with pulse sender, dry dial and roller reading



PP CONDUCTIVITY SENSORS

- Temperature sensor integrated

• For pH/Rx model



REDOX PROBE

- glass or plastic body ± 1000 mV 60° 6 bar



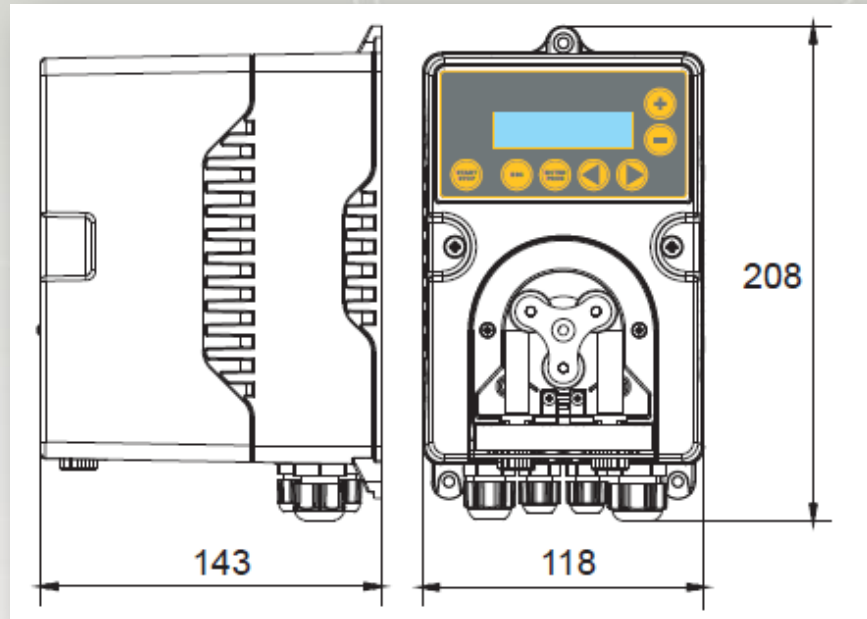
PH PROBE

- glass or plastic body 0/14ph 60° 6 bar

Water Treatment



Dimensional drawings



Installation kit

